

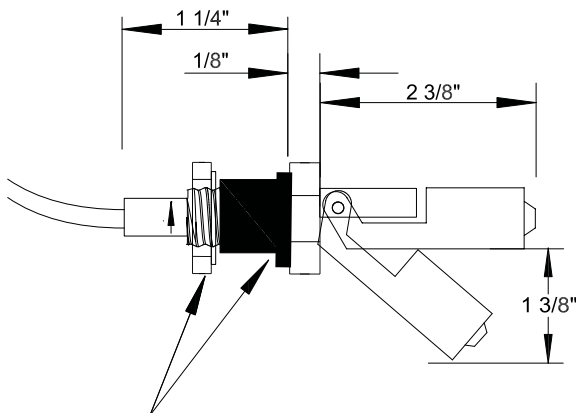
FPI SENSORS INTERNATIONAL

A H I G H E R L E V E L O F S A T I S F A C T I O N

We excel in **LOW COST** » **HIGH QUALITY** » **72 HOUR MFG TIME**

SM-4115-PP

MANY OTHER VARIATIONS AND OPTIONS ARE AVAILABLE

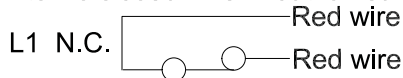


Gasket: As the nut is tightened on the thread, the gasket diameter will expand.

Recommended mounting hole size: 7/8"
Recommended wall thickness: 1/32" to 3/8"

WIRING DIAGRAM

Switch is closed when float is near stem



SPECIFICATIONS

MATERIAL: Polypropylene

FITTING: M16 threads with nut and sealing grommet

SWITCH: SPST, 20 watt maximum
140 volts & 700mA maximum values
N.C. reversible to N.O.

WIRING: Red, 22 ga. PTFE, 24" length

MAXIMUM PRESSURE: 100 PSI

OPERATING TEMPERATURE: -20 °F to +180 °F



Do you need something to be different? No problem, call or email and let us know how we can modify this product to meet your exact requirements!

1.800.852.9984

FPIsensors.com

Fax 651.681.1888

info@FPIsensors.com