

# FPI SENSORS INTERNATIONAL

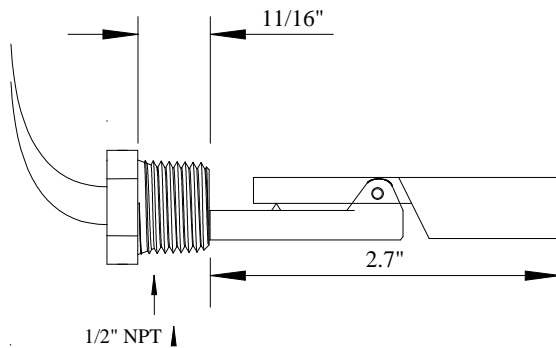
A H I G H E R L E V E L O F S A T I S F A C T I O N

We excel in **LOW COST** » **HIGH QUALITY** » **72 HOUR MFG TIME**

## SM-4120-PP



**MANY OTHER VARIATIONS AND OPTIONS ARE AVAILABLE**



### SPECIFICATIONS

**MATERIAL:** Polypropylene

**FITTING:** 1/2" NPT

**SWITCH:** SPST, 20 watt maximum  
140 volts & 700mA maximum values  
N.C. reversible to N.O.

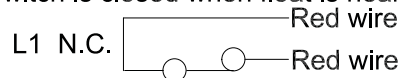
**WIRING:** Red, 22 ga. PTFE, 24" length

**MAXIMUM PRESSURE:** 100 PSI

**OPERATING TEMPERATURE:** -20 °F to +180 °F

### WIRING DIAGRAM

Switch is closed when float is near stem



*Do you need something to be different? No problem, call or email and let us know how we can modify this product to meet your exact requirements!*

**1.800.852.9984**

**FPIsensors.com**

Fax 651.681.1888

info@FPIsensors.com